



Shenzhen Jifuan Intelligent Technology Co., Ltd.

EXPERT FOR VEHICLE CAMERA SOLUTION



Jfacam.com
info@jfacam.com
0755-281902146



About us

Based in Shenzhen, China, and established in 2016, Professional supplier for truck camera, monitor, digital wireless rearview system, 360birdview system. Product strictly according to CE/FCC/Rosh/E-mark.



Less is more, professional is priceless. Shenzhen Jifuan Intelligent Technology Co., Ltd. commit to providing the most professional and personal business plan to our customers, in order to make their business easier.





Our work shop

Our certification



Production

Jfacam.com
 info@jfacam.com
 0755-28192146
 Whatsapp:8618874007838



P6



1.Rear view system

P11



2.360 bird view system

P15



3.MDVR

P22



4.Wireless camera kit

P25



5.monitor

P35



6.camera

P35



7.accessory

Key Market



Mine Truck



Rubbish



Gas Truck



Excavator



Harvester



crane



Fork lift



Fire truck



Bus



RV

1. Rear view system



FVC-036C-4G

- 4ch BSD function
- 4G function optional
- 8ch AHD optional



FVC-036B

- 3ch BD function
- 128G TF card
- Auto detect people and car



LRS-367LDVS

- 360 bird view system
- 128G TF card
- Sony 225 camera



FVC-030
10inch 4ch touch screen

- 10.1inch touch function
- 128G TF card



FVC-026
7inch 4ch all in one system

- 7inch 4ch AHD monitor
- Good price



FVC-036C-4G

How It Help The Mine Truck? **Blind spot detect**

FVC-036C-4G have 4ch BSD camera, it can auto detect people and moving object around the vehicle, voice alarm shall alarm the people get into the detect area and also have 4G function, you check everything on your phone and computer in the office. Also you can download them as your want.

- 1
- 2
- 3
- 4



AHD 1080P camera

- 5



10.1 touch screen monitor

- 6



Full metal voice alarm





FVC-036C-4G



Project	Device parameters	Performance	
Show	Display Size	10.1 inches	
	Resolution	1024*600	
	Brightness	600 Brightness IPS	
System	Main Processor	ARM Cortex A7	
	Operating System	Embedded Linux operating system	
	Operating Language	Chinese/English/Traditional Chinese /Russian/Japanese/Italian/Spanish/French	
Audio and Video	Operation Interface	Graphical menu operation interface, support touch and voice control operation	
	Video Format	PAL/NTSC	
	compression standard	H.265	
	Image Resolution	1080P/720P	
	Video Quality	Levels 1 to 6 are available	
	Combination	Various combinations	
	Decoding capability	8ch 1080P/720P real-time	
	Screen Display	Support 1, 4, 5, 6, 8, 9 screen display	
	Audio compression	G.726	
	Recording method	Synchronized recording of sound and video	
Recording and Playback	Video recording	Manual, alarm	
	Video bit rate	Full frame 4096Mbps	
	audio bit rate	8KB/s	
	storage medium	TF card storage	
	Video query	Search by channel and recording type	
Software Upgrade	local playback	Playback by file	
	Upgrade mode	Manual upgrade, remote upgrade	
Interface	audio input	1 channel	
	video input	8 channel	
	Alarm input	4-channel alarm input by default, 6-level signal input can be customized	
	Alarm Output	1 channel alarm output	
	Ignition Input	1 channel ACC signal	
Extensions	Serial Port	1 485 interface (can be customized)	
	GPS/BD	GPS or BD, GLONASS	
	3G/4G	Support CDMA/EVDO/GPRS/WCDMA/FDD LTE/TDD LTE	
	WIFI	Support 2.4G WIFI	
Other	Power Input	DC: 8V~36V Standby 3mA	
	Power consumption	Maximum power consumption 18W @12V 1.5A @24V 0.75A	
	Operating temperature	-20~70°C	
	Compressed storage capacity	1080P	0.8G/hour/channel
		720P	500MB/hour/channel
	D1	250MB/hour/channel	

10.1inch touch screen 4ch BSD AI detect camera system

1. Detection Trigger if detect people 4ch BSD

2. Mobile phone alarm, only 4G version will have it

3. Voice alarm sepereta switch

4. The alarm area square seperate switch

5.4G function optional

6.5/6/8ch optional

7. Screen auto off settings

8.multi input 720/1080 can input at the same time

9.support adjust detect area for all 4ch



FVC-036B

How It Help The Fire Truck? **Blind spot detect**

FVC-036B is 3ch BSD system, this system don't have 4G function, normally right view and left view shall have BSD function all the time and detect area can adjust in the monitor, and the 2ch-rear view shall have BSD function when rear gear. Support change case of camera and OEM logo for monitor.

- 1
- 2
- 3
- 4



AHD 1080P camera

- 5



7inch AHD monitor

- 6



voice alarm





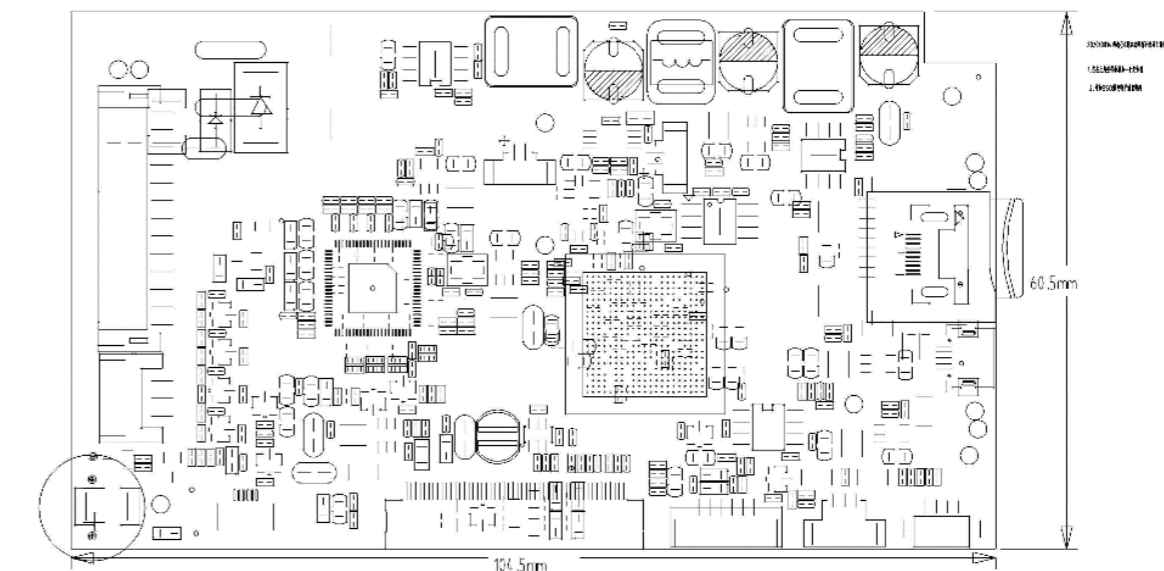
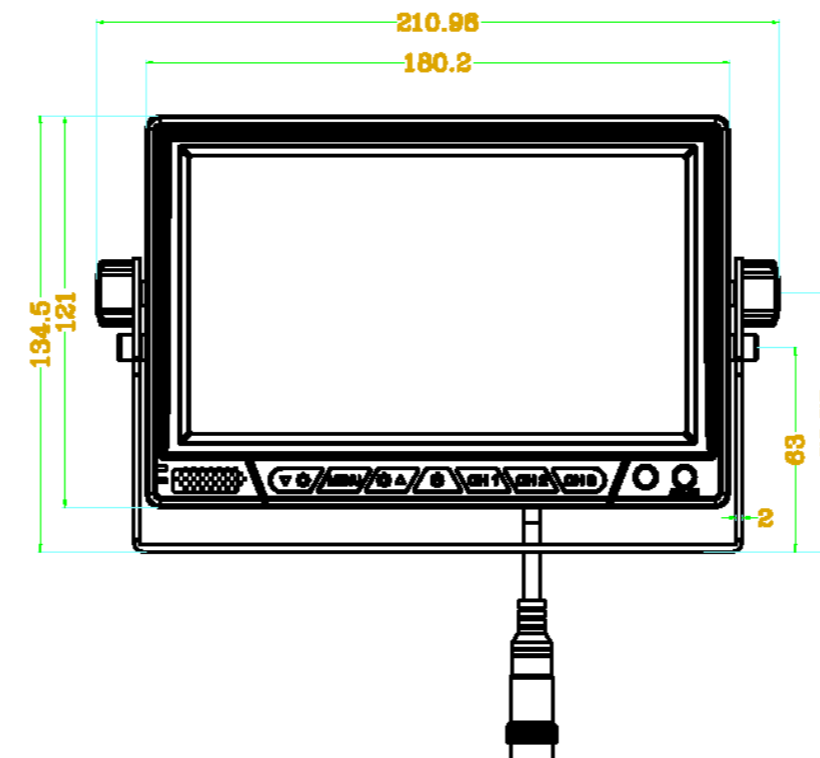
FVC-036B



ITEM	SPECIFICATION
Screen size	7/9/10.1 Inch AHD Quad Monitor (BSD)
Backlight brightness	LED, brightness 500cd/m2 500: 1
Screen resolution	1024*R.G.B*600
Language	English/Chinese/Japanese/Russian
System	PAL/NTSC (auto)
Power supply	DC12V-36V (working voltage above 13V with camera) Output: 11.5 V/3A
Operating temperature	- 20°C ~ 70°C
Storage temperature	- 20°C ~ 70°C
SD card slot	SD high-speed card for video storage, minimum 16GB, maximum 128GB, card speed not less than 10M/S
Support camera resolution	1280x 720
Video resolution	720P (HD 1280x720)
Photographic resolution	1280x720
Storage compression mode	H.264
Video format	. ts
Picture format	jpg
Connector	4-Pin Aviation Plug
Accessories	Power Cable, Remote Control, Bracket, User Manual

7inch system with AI camera and voice alarm system

1. Built-in pedestrian detection mold
2. 3ch for AI cameras ;left, right and rear
3. Voltage: 9~32V
4. the LCD panel: IPS hd 600 CD
5. Working current: 600mA
6. storage: Support 128GB TF card (not include)

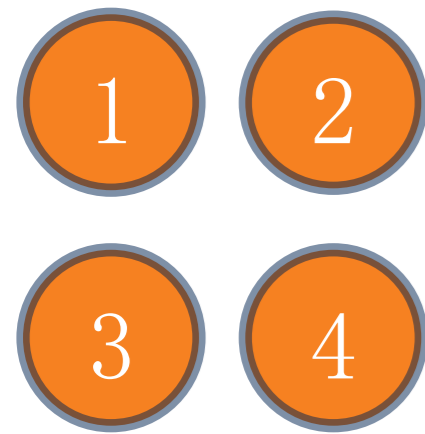
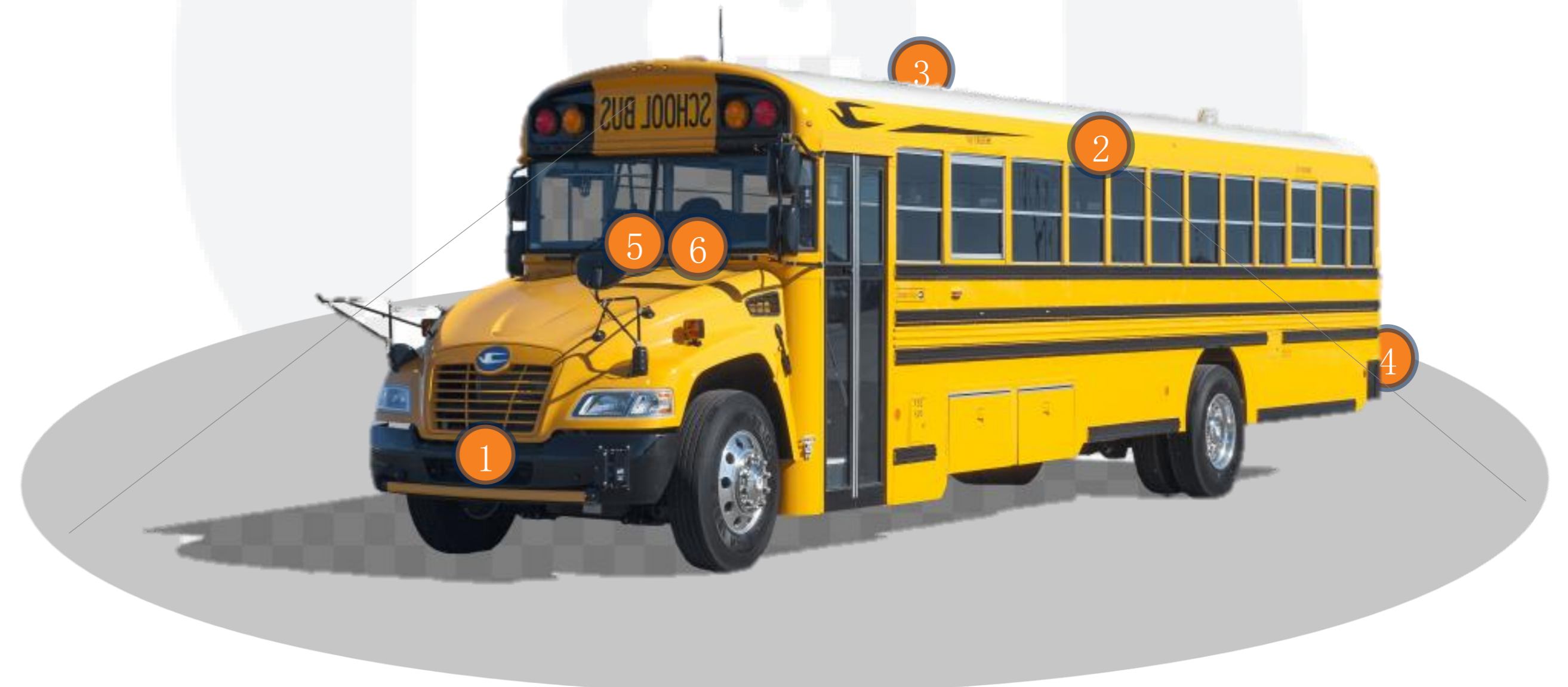




LRS-367LDVS

How does the 360 bird view system work ?

The surround view parking assistant system captures the images of four different views (front/rear/left/right), with the use of four ultra-wide angle fish-eye cameras installed around the vehicle. With the built-in advanced image processing and stitching algorithm, it timely and continuously synthesizes and shows the bird view image around the vehicle. The driver can intuitively observe vehicle position and surrounding obstacles, then bring the vehicle back to the parking space or pass by the complex road, to effectively avoid accidents such as friction, crash, fall, and so on.



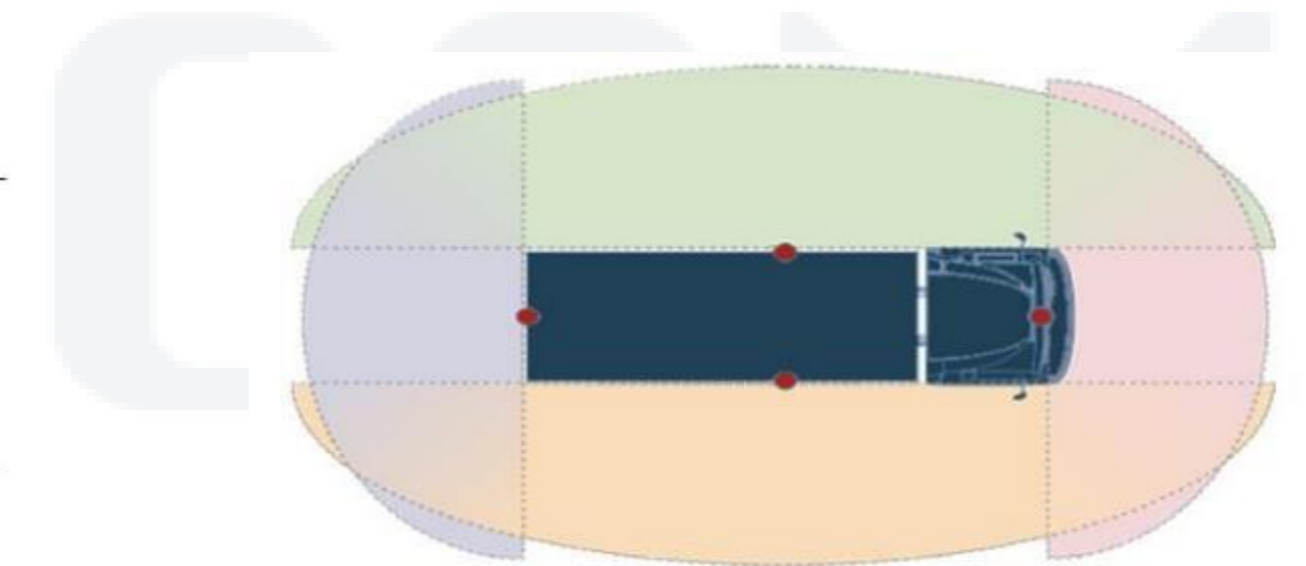
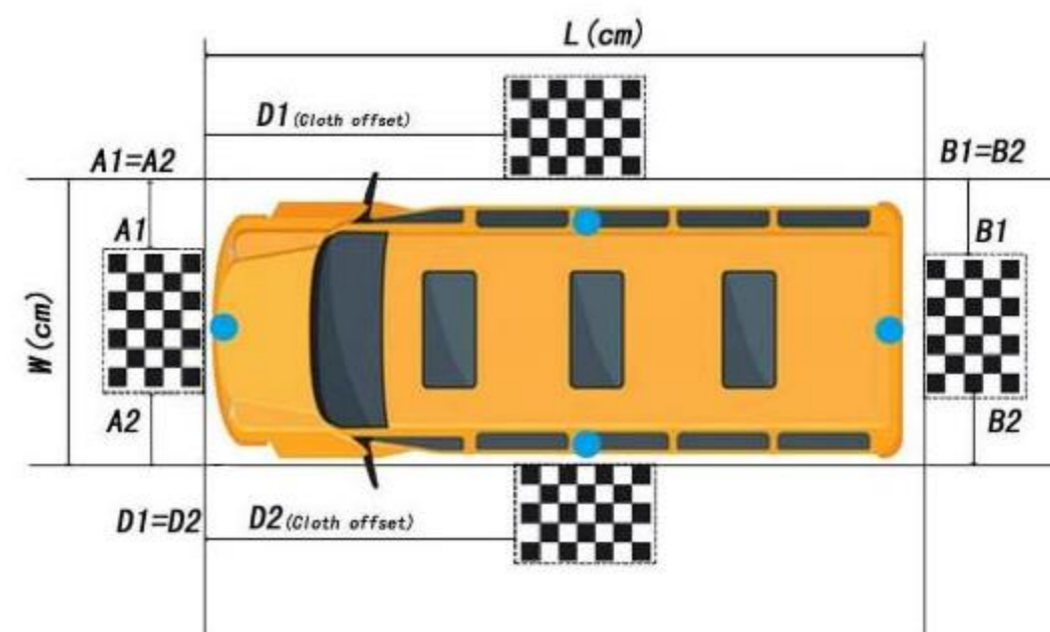
AHD 1080P camera



7inch LVDS monitor



360 bird view block



Install on fire truck





LRS-367LDVS



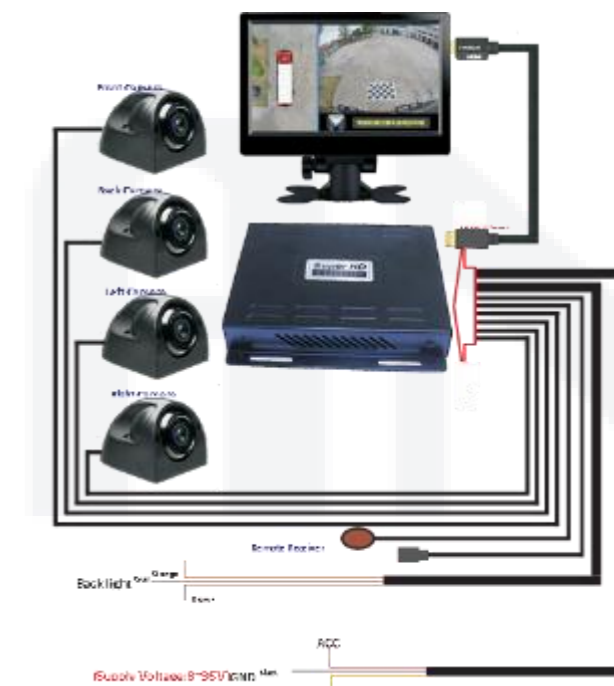
Host

Cameras

Displayer

CPU:Quad-core Cortex™-A7
FLASH: 4GB
DDR: 512MB
Languge: English,Russian, Japanese,Korean, Portuguese,German,Chinese, Chinese traditional.
Working voltage range:9~36v
Working current:<400mA
Standby current:<10mA
Working temperature range:-30°C~ 80°C
Working humidity:40%~80%
Optional:
Camera Chip sensor Aptina AR0130 1/3 HD Sony sensor
Effective Pixels:1280(h)*960(v)
Horizontal resolution:960H
Dynamic range:>78dB
Video output: AHD
Waterproof:IP67
Video resolution:2560*1440
Working voltage:3.3v
Working current:<100mA
Video input: LVDS
IPS Displayer Resolution:1024*600

1. 360birdview system with 7inch monitor with LVDS signal
2. CPU: Quad-core Cortex™-A7
3. FLASH: 4GB Working voltage range:9~36v
4. Camera: Sony225 180° fish-eye full glass lens
5. Working current:<400mA
6. Working humidity:40%~80%
7. Storage: 128GB USB disk
8. 5m/10m/15m extension cable optional

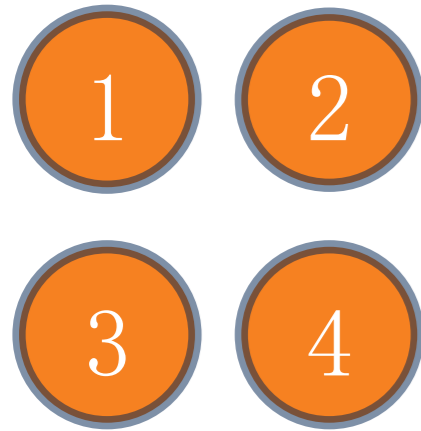




FVC-030

How does the rear view system work ?

FVC-030 has quad split screen with IP68 waterproof camera. The monitor supports 4 channel Video inputs, reliable and waterproof. Metal bracket or suction cup mount bracket for selection. It is suitable for your car, truck, van, RV and bus monitoring. It can be installed inside or outside the car. Its operation Temperature is -40°C ~ $+70^{\circ}\text{C}$. The screen can automatically switch when reversing, which can help drivers drive safely because they can see every angle of the image. It can work well day and night.



AHD 1080P camera



10.1inch touch screen



2.MDVR



MDVR-01-1080p

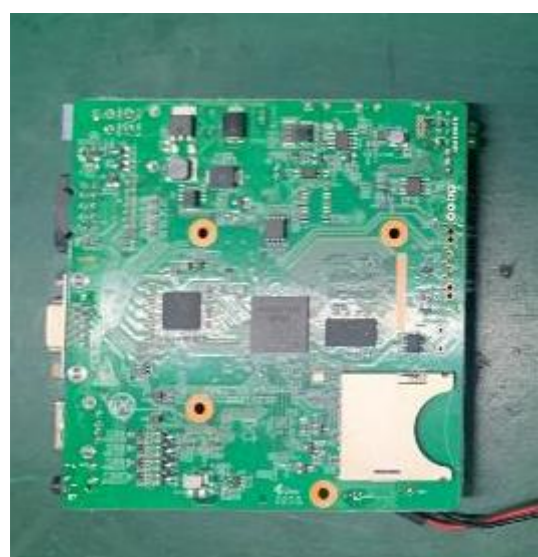
- 256G*2,GPS,4G function
- OEM logo
- Friendly price



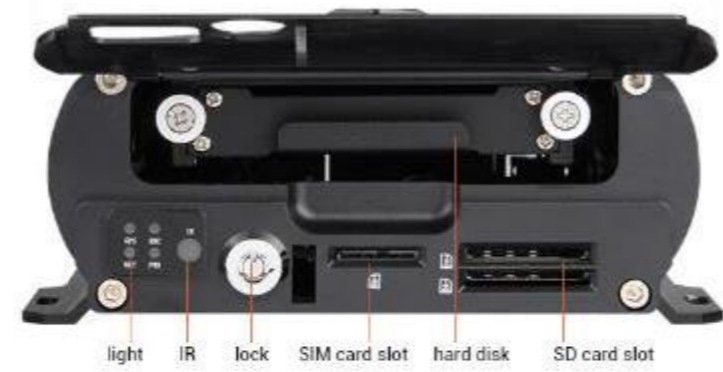
MDVR-02HG

- 4TB+256G*2 memory
- 4G,GPS function
- Built-in super capacitor
- 4ch/8ch optional

MDVR-01-1080p



MDVR-02HG





MDVR-01-1080p



MDVR-01 (1080p)

- 4G optional
- GPS optional
- 256G*2



JPM-07V

- VGA video in have more stunning performance
- Built-in light sensor
- High-low voltage protection



JPC-110F

- 180degree optional give wider view
- AHD 1080p optional



MDVR-01 (1080p)

interface	Name	Description
Power input interface	DC8-36V	Power input interface (common red wire connects to positive power, black wire to negative power, yellow wire to ignition wire)
Audio and video input port	CAM1-4 (AV1-AV4)	Audio and video input interface (1 pin +12V, 2 pin GND, 3 pin connected to audio, 4 pin connected to video, power, video, audio share the GND line)
Audio and video output interface	AVOUT	Aviation audio and video output
IO/ALARM interface	RX	/
	TX	/
	GND	common negative wire
	IO1-IO4	Level signal input
	ALO1	Alarm 1 output
	ALO2	Alarm 2 output
	12V	12V output



MDVR-02HG-8Ch



JPM-07V



JPC-117 AI



JPC-132M



JPC-115



JPC-116

MDVR-02HG-8Ch

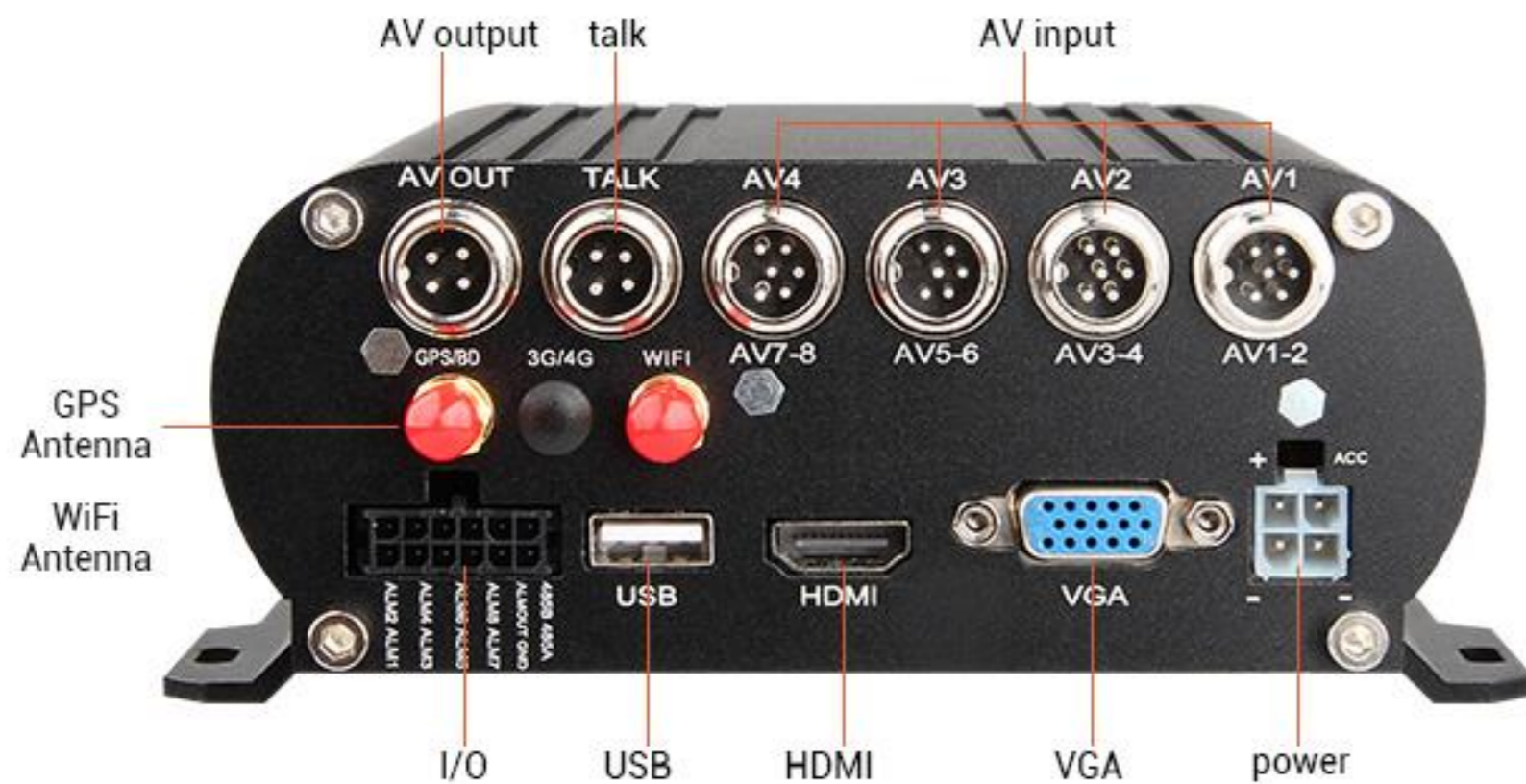


© Product details

Good materials, good craftsmanship, good quality

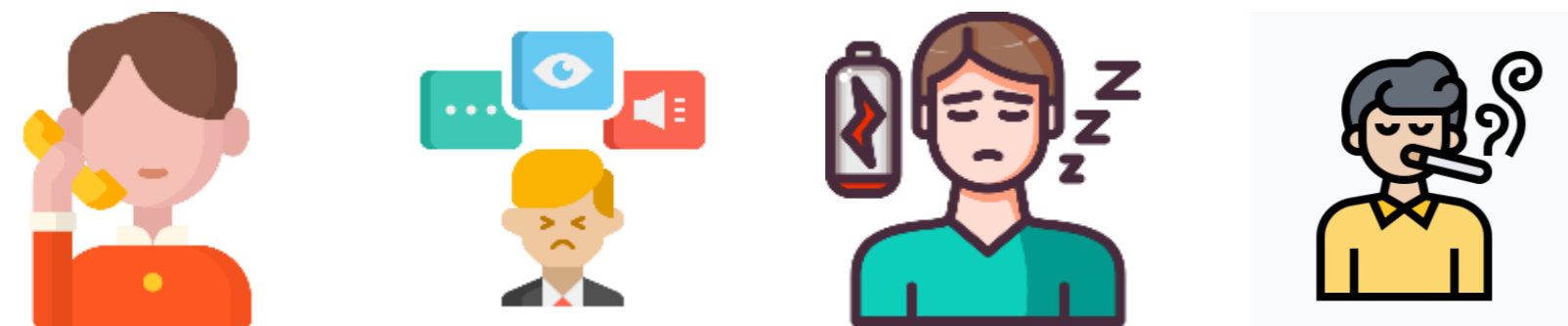


light IR lock SIM card slot hard disk SD card slot



MDVR-02HG-8ch

Technical parameter:		
Item	Device parameter	Performance
System	Main processor	Hi3520DV300
	Operating system	Embedded Linux OS
	Operating language	Chinese/English
	Operating interface	GUI, support mouse
	Password security	User password/Admin password
	Audio & Video	Video standard
Video compression		H.264
Image resolution		1080N/720P/960H/D1/CIF
Playback quality		1080N/720P/960H/D1/CIF
Compound mode		A variety of ways
Decoding ability		1ch 1080N real time
Recording quality		Class 1-6 optional
Image display		Single/QUAD display optional
Audio Compression		G.726
Audio recording		Audio & Video synchronized recording
Recording mode		Manual/Alarm
Recording & Playback		Video bit rate
	Audio bit rate	8KB/s
	Storage media	SD card + HDD/SSD storage
	Video inquiry	Inquiry by channel/Recording type
	Local playback	Playback by file
	Firmware upgrading	Upgrading mode
Upgrading method		USB disk/Wireless network/SD card
Interface	AV input	8ch aviation interface
	AV output	1ch VGA video output, 1ch aviation AV output
	Alarm input	8 digital inputs (4 Positive/Negative trigger)
	HDD/SSD	1 HDD/SSD (up to 4TB, support hot plug/unplug)
	SD card	2 SDXC High speed card (up to 256GB)
	USB interface	1 USB 2.0 (support U disk/mouse)
	Ignition input	1 ACC signal
	UART	1 LVTTTL Level
	LED Indication	PWR/RUN
	Disk /SD card lock	1
	Debug port	1
	Function extension	GPS/BD
3G/4G		Supports CDMA/EVDO/GPRS/WCDMA/FDD LTE/TDD LTE
WIFI		802.11b/g/n, 2.4GHz
Power input		8~36V DC
Others	Power consumption	Standby 3mA Maximum consumption 30W @12V 2.5A @24V 1.25A
	Working temperature	-25 --- 70°C
	Storage	1080N 1.2G/h/channel 720P 1G/h/channel 960H 750M/h/channel
	Dimension	148mm*188mm*60mm



JPC-120 DMS

- 720p AHD
- monitor driver's behavior
- 1.Smoking
- 2.Phone calling
- 3.Fatigue
- 4.Distracted

Project	Model	DMS	
System	CPU	ARM Cortex A7	
	NPU	0.6 TOPs	
Parameter	Sensor	1/3" CMOS AHD 720P	
	Frame number	30fps	
	Video format	PAL	
	Effective resolution	1080 (H) X 720 (V)	
	Effective Pixels	1.0 M pixels	
	Vertical sync frequency	50Hz / 60Hz	
	Minimum illumination	Color: 0.05Lux/F1.2	
	Video output	1.0vp-p, 75Ω	
	AGC	Auto	
	Sound-to-noise ratio	Greater than 50dB	
	White balance	Auto	
	BLC	Auto	
	Lens	2.8mm F = 2.0	
	Lens effective angle	100°	
	Effect	Starlight night vision	
	Audio	None	
	Algorithm	Built-in algorithm	Fatigue Detection (DSM) Algorithm
	Interface	Alarm interface	1 channel IO alarm output (5V)
		Serial port	RS485
		Video interface	AHD signal
GPS module interface		External GPS positioning	
Speaker interface		In-car horn prompt interface	
Power	Current	200mA±10%	
	Power	DC 12V voltage (±10%)	
Other	Protection class	Not waterproof	
	Operating temperature	- 40°C~70°C , RH95% MAX	
	Storage temperature	- 30°C~80°C, RH95% MAX	
	Size	63mm*50.5mm*104mm	

3. Wireless kit



FWR-601



FWR-701



FWR-702



FWR-704



FWR-704



FWR-701



Monitor Specification

- Supports both NTSC and PAL video systems
- Support up for 4 cameras
- Display effect can be changed for each individual camera
- Multiple Viewing Options - Single/Split
- Screen/Quad Grid lines (can be switched on/off)
- Operating frequency: 2400-2483.5MHZ
- Transmitted Power:18db
- Resolution: 1280 (H) X 1024 (V)
- Contrast: 500:1
- Brightness: 500cd/m²
- Response Time(ms): 25
- Power Supply: DC12-36V
- Power consumption: <500mA
- Operating temperature: -20° C ~ 70° C
- Storage temperature: -30° C ~ 80° C



Camera Specification

- Image Sensor: 1/2.7 inch Starlight HD
- Picture Elements: 250,000 pixels
- View Angle: 127° [H] 170° [D]
- Resolution: 1000TV lines TV
- System: PAL/NTSC
- Waterproof Rating: IP68
- Minimum illumination: 0.5lux
- Power Supply: DC12V-36V
- Operating frequency: 2400-2483.5MHZ
- Operating Temperature -20° C ~ +70° C / RH 95% Max
- Storage Temperature -30° C ~ +80° C / RH 95% Max





JPM-71B

- New bracket for mirror monitor



JPM-07V

- VGA monitor for MDVR



JPM-706Q

- AHD professional quad monitor



JPM-718SW

- IP69K full metal case monitor

Optional bracket for monitor

Perfect production shall make business better



Arm bracket



Special bracket



Special bracket



360 fan bracket



ABS+metal base plate



Metal suck bracket



Ceiling bracket



Ceiling bracket



Ceiling bracket



Ceiling bracket



U bracket



Fan bracket



Butterfly bracket



PARAMETER FOR MONITOR



JPM-71B



7"inch **AHD** vehicle mounted display

- AV Resolution:1024*R.G.B*600, Back Light Luminance: LED, 500-650cd/m²
- View angle: L/R:85°,UP:85°,down:85° degree
- 2 channel AHD video input, single image display, support 720P/ 960P/1080P (Video Compatibility: (CVBS/ AHD))
- Automatically switch to V2 when reversing, Reverse reference point
- System:PAL&NTSC auto-switching
- **High-low voltage protection short circuit protection**
- Working temperature:-20°C to 70°C
- Storage temperature:-30°C to 80°C



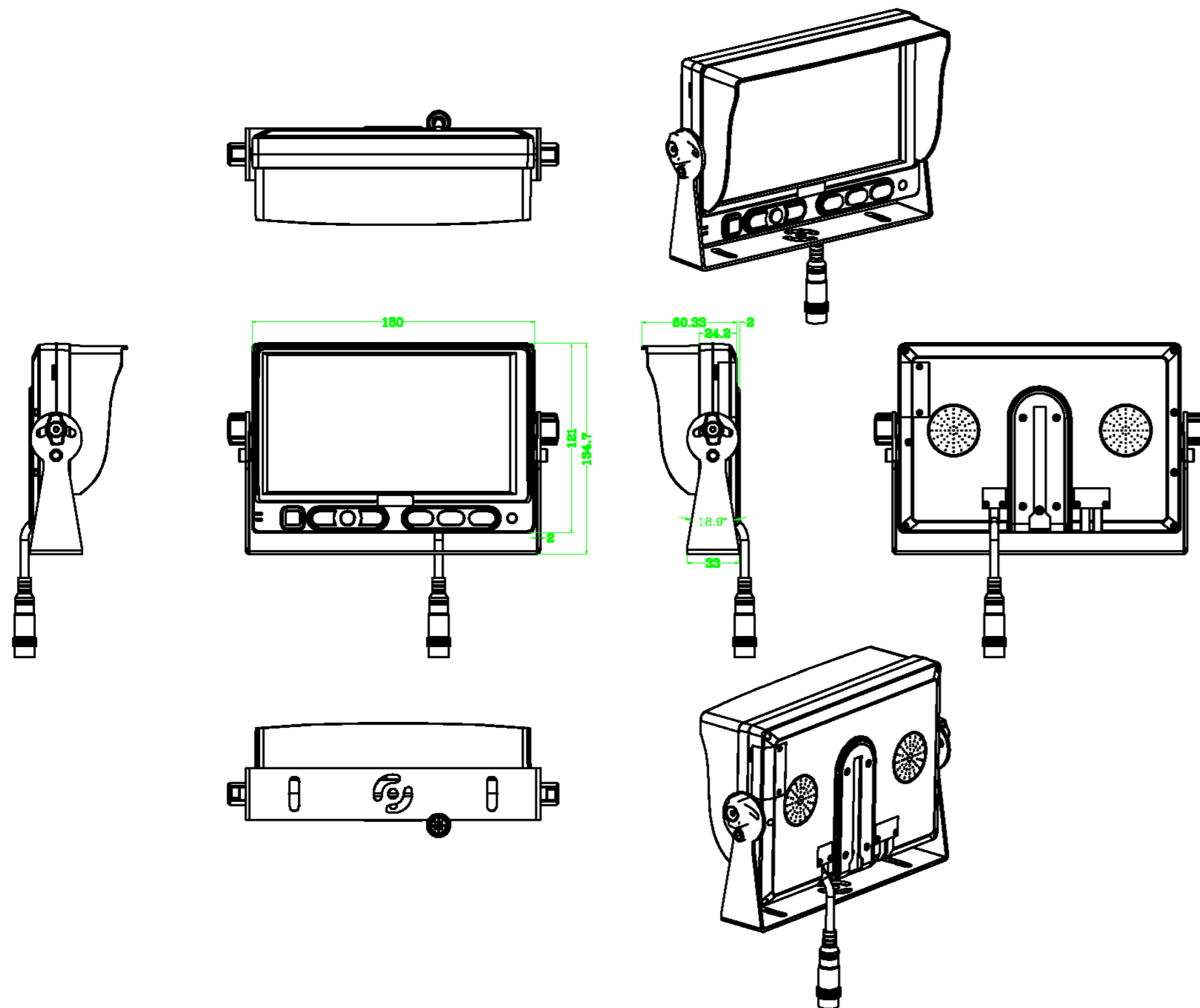
PARAMETER FOR MONITOR



JPM-07V

7/9/10 inch VGA monitor camera system(with shade)

- Resolution:1024*R.G.B*600
- Brightness: 500cd/m2
- View angle: L/R: 85°,UP:85°,down: 85° degree
- PC resolution:1024*768
- with light sensor receiver can adjust screen brightness automatically day & night
- Power supply: DC 9V-36Vinput, 12V output
- High-low voltage protection short circuit protection
- Appearance color: black rubber paint
- RCA/ 4pin connector (Optional)
- fan bracket / Suction Cup holder (optional)



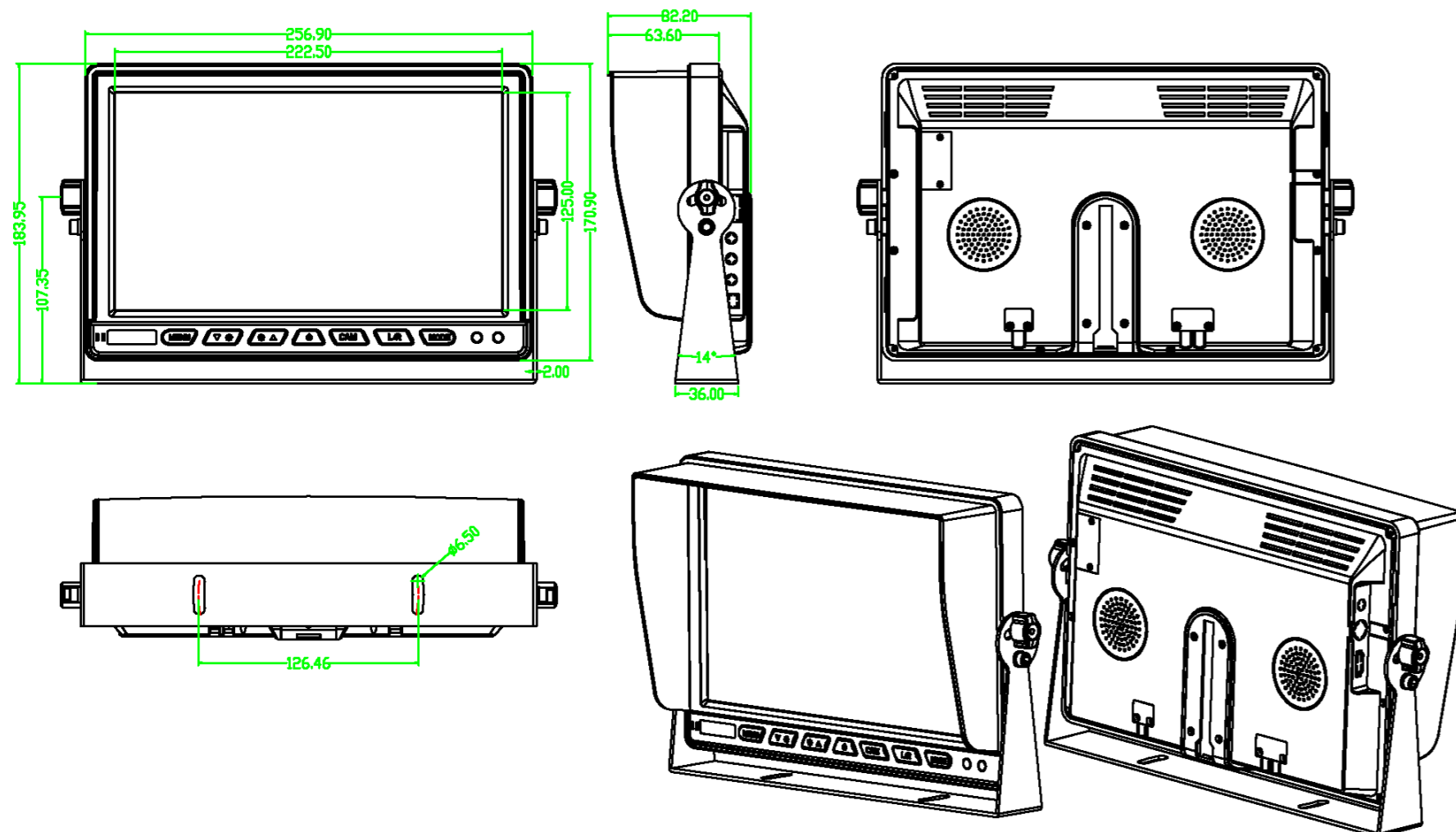


JPH-1016M

PARAMETER FOR MONITOR

10.1" AHD Monitor Built-in DVR(HI silicon)

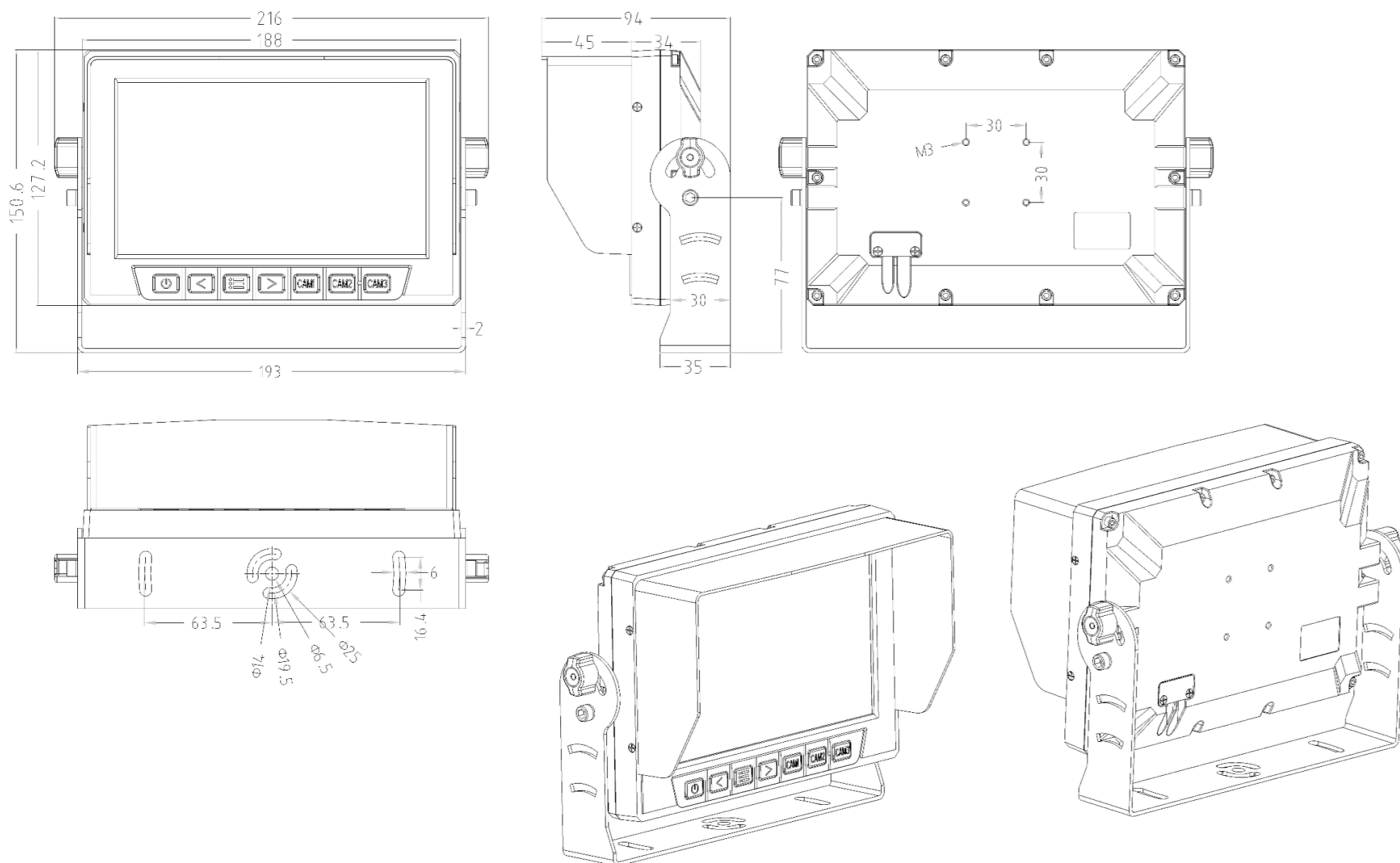
- Resolution:1024*R.G.B*600
- Luminance: LED, 500cd/m²
- View angle: L/R:180°,UP:180°,down:180° degree
- Video input:4 channels of AHD1080P/960P/720P and 960H,
- D1 (CVBS) multi video input;
- with light sensor receiver, can adjust screen brightness automatically day & night
- Compatible with mixed input of PAL and NTSC
- Image resolution: 1920*1080, 1280*720, 1024*768, 800*600
- Video resolution: 1920*1080
- Video compression format:H.264 compression mode
- Audio input: Support 1 channel audio input (CH1 interface)
- SD card: Support 512G storage card,10 class, full disc automatic deleting, cyclic coverage
- Power management: Self-adaptive wide-range power input, with under - voltage protection, over - voltage protection, reverse short-circuit protection and other protections;
- Input voltage: DC + 12-36V (For operation with a camera, the required input voltage is 13V and above)
- Output voltage:+11.5V/3A
- Power consumption: Normal operation status < 5W
- appearance color: black rubber paint
- Butterfly bracket/fan bracket/Suction Cup holder (optional)
- RCA/ 4pin connector (Optional)





PARAMETER FOR MONITOR

JPM-718AW



IP 69K waterproof 7"inch 1/2/4 ch AHD full metal Waterproof Monitor

- Resolution:1024*R.G.B*600
- Luminance: LED, 500cd/m²
- View angle/R:85°,UP:85°,down:85° degree
- Four-channel AHD video input,
- Full images/2 images/3images/4 images adjustable ,
- Support AHD720P/960P/1080P and CVBS multi-video multi video input
- Twelve segmentation modes, cut into two three or four pictures to display H-type,
- each picture can be presented separately
- with light sensor receiver, can adjust screen brightness automatically day & night
- System:PAL&NTSC auto-switching
- Power supply: DC12V-36V input, 12V output
- High-low voltage protection short circuit protection
- Waterproof grade: IP69K
- Appearance color: Ferrous metal
- standard: Metal U type bracket, Detachable sunshade
- RCA/ 4pin connector (Optional)
- Dimension:188*127.2*34(79)mm



JPM-718AW



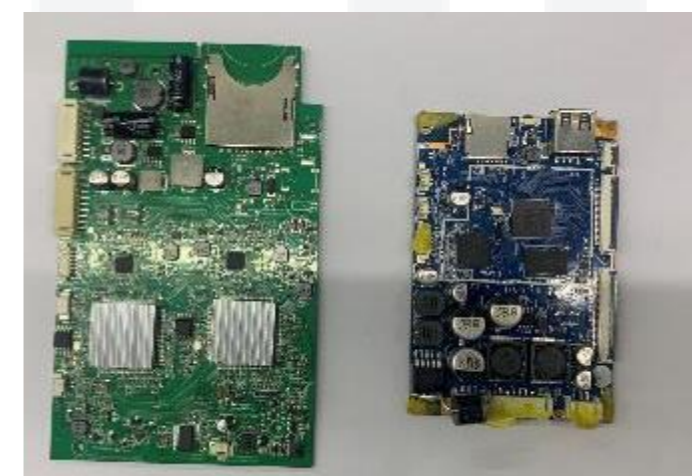
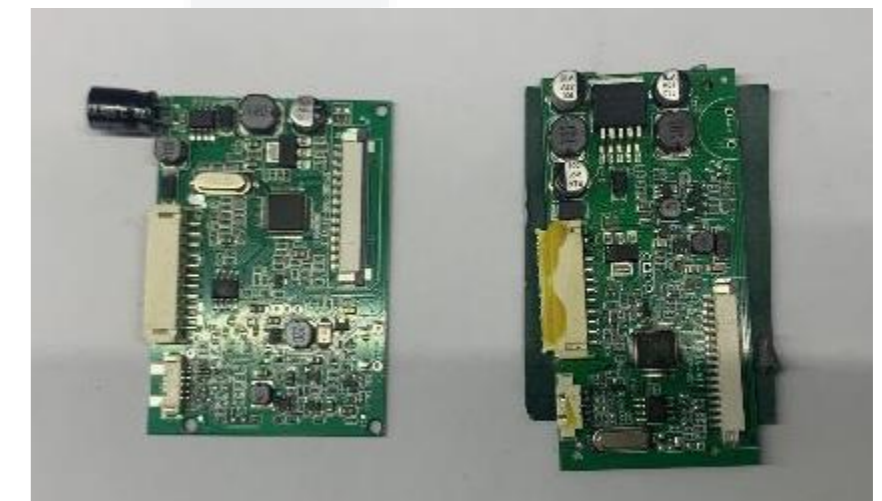
Professional monitor VS universal monitor



1. Apperence,function



2. Inside of monitor





6.Camera

JPC-117 AI



Image sensor:720P-auto detect people and moving object

Resolution: 100W

Minimum illumination: 0.1LUX

Image viewing angle: 100°

Format: PAL or NTSC

Working voltage: 12V

Waterproof level: IP68

aluminum alloy housing

Anti-fog, waterproof, shockproof function

Standard AV signal output, suitable for car 12V-24V power supply

Connector type: RCA or AV

operating condition:-30°C-+70°C

2 year warranty

JPC-120 DMS



Image sensor:720P detect driver behavior

Resolution: 100W

Minimum illumination: 0.1LUX

Image viewing angle: 100°

Format: PAL or NTSC

Working voltage: 12V

Waterproof level: /

Plastic housing

Standard AV signal output, suitable for car 12V-24V power supply

Connector type: RCA or AV

operating condition:-30°C-+70°C

2 year warranty

JPC-100fork



Image sensor: CMOS (600TVL 700TVL) 720P 960P 1080P

Resolution: 30W-50W 100W 130W 200W

Minimum illumination: 0.1LUX 0.01LUX 0.001LUX

Image viewing angle: 65°

Format: PAL or NTSC

Working voltage: 12V or 12-24v

Waterproof level: IP67

aluminum alloy housing

Anti-fog, waterproof, shockproof function

Standard AHD signal output, suitable for car 12V-24V power supply

Connector type: 4pin AV

operating condition:-30°C-+70°C

2 year warranty

JPC-101



Image sensor: CMOS (600TVL 700TVL) 720P 960P 1080P

Resolution: 30W-50W 100W 130W 200W

Minimum illumination: 0.1LUX 0.01LUX 0.001LUX

Image viewing angle: 170°

Format: PAL or NTSC

Working voltage: 12V or 12-24v

Waterproof level: IP67/68

Plastic housing

Anti-fog, waterproof, shockproof function

Standard AHD signal output, suitable for car 12V-24V power supply

Connector type: RCA/ 4pin aviation

operating condition:-30°C-+70°C

2 year warranty

JPC-102



Image sensor: CMOS (600TVL 700TVL) 720P 960P 1080P

Resolution: 30W-50W 100W 130W 200W

Minimum illumination: 0.1LUX 0.01LUX 0.001LUX

Image viewing angle: 110°

Format: PAL or NTSC

Working voltage: 12V or 12-24v

Waterproof level: IP67

aluminum alloy housing

Anti-fog, waterproof, shockproof function

Standard AHD signal output, suitable for car 12V-24V power supply

Connector type: 4pin AV

operating condition:-30°C-+70°C

2 year warranty

JPC-103



Image sensor: CMOS (600TVL 700TVL) 720P 960P 1080P

Resolution: 30W-50W 100W 130W 200W

Minimum illumination: 0.1LUX 0.01LUX 0.001LUX

Image viewing angle: 170°

Format: PAL or NTSC

Working voltage: 12V or 12-24v

Waterproof level: IP67/68

aluminum alloy housing

Anti-fog, waterproof, shockproof function

Standard AHD signal output, suitable for car 12V-24V power supply

Connector type: RCA/ 4pin aviation

operating condition:-30°C-+70°C

2 year warranty

JPC-105



Image sensor: CMOS (600TVL 700TVL) 720P 960P 1080P

Resolution: 30W-50W 100W 130W 200W

Minimum illumination: 0.1LUX 0.01LUX 0.001LUX

Image viewing angle: 110°

Format: PAL or NTSC

Working voltage: 12V or 12-24v

Waterproof level: IP67

Plastic housing

Anti-fog, waterproof, shockproof function

Standard AHD signal output, suitable for car 12V-24V power supply

Connector type: 4pin AV

operating condition:-30°C-+70°C

2 year warranty

JPC-110



Image sensor: CMOS (600TVL 700TVL) 720P 960P 1080P

Resolution: 30W-50W 100W 130W 200W

Minimum illumination: 0.1LUX 0.01LUX 0.001LUX

Image viewing angle: 170°

Format: PAL or NTSC

Working voltage: 12V or 12-24v

Waterproof level: IP67/68

aluminum alloy housing

Anti-fog, waterproof, shockproof function

Standard AHD signal output, suitable for car 12V-24V power supply

Connector type: RCA/ 4pin aviation

operating condition:-30°C-+70°C

2 year warranty

JPC-112



JPC-113



JPC-114



JPC-115



JPC-118



JPC-119



JPC-120



JPC-121



JPC-125



JPC-125-1



JPC-125-2



JPC-121



JPC-137



JPC-139



JPC-122



JPC-116



With JFA, with SAFE



Thanks for watch our
product, it's our glory to share with your all this
thing, please feel free to contact us anytime.
We shall give a fast respond.

Jfacam.com

0755-28192146

info@jfacam.com

Whatsapp:8618874007838

Building 9, West District, Zhangge Village, Zhangge
Community, Fucheng Street, Longhua District, Shenzhen